

RAPID CHARGER

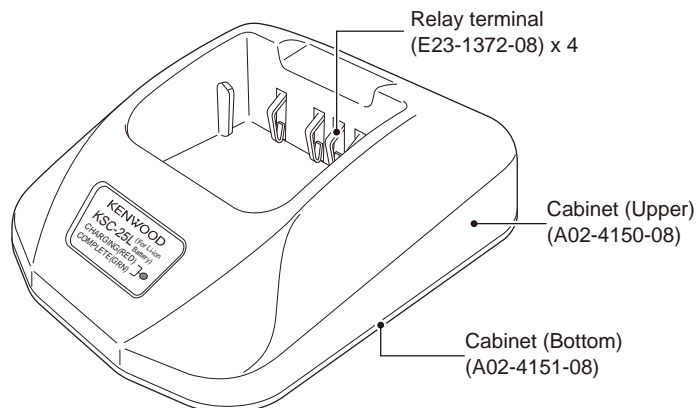
# KSC-25L

## SERVICE MANUAL

# KENWOOD

JVC KENWOOD Corporation

© 2011-10 PRINTED IN JAPAN  
B51-8996-00 (Y) PDF



### Document Copyrights

Copyright 2011 by JVC KENWOOD Corporation. All rights reserved.

No part of this manual may be reproduced, translated, distributed, or transmitted in any form or by any means, electronic, mechanical, photocopying, recording, or otherwise, for any purpose without the prior written permission of JVC KENWOOD Corporation.

### Disclaimer

While every precaution has been taken in the preparation of this manual, JVC KENWOOD Corporation assumes no responsibility for errors or omissions. Neither is any liability assumed for damages resulting from the use of the information contained herein. JVC KENWOOD Corporation reserves the right to make changes to any products herein at any time for improvement purposes.

## SPECIFICATIONS

Input Voltage ..... AC 120~240V 50/60Hz  
(Use the supplied AC adapter)

Charging Current ..... 945mA±5%

Charging Time ..... KNB-55L: Approx. 150 min.  
KNB-57L: Approx. 170 min.

Usable Temperature Range ..... 0°C to 40°C (32°F to 104°F)

Dimensions (W x H x D, charger only)  
..... 105 (4.13) x 54.6 (2.15) x 135 (5.32) mm (in)

Weight (charger only) ..... Approx. 170g / 0.37 lbs

## PARTS LIST

KSC-25L \* : New Parts

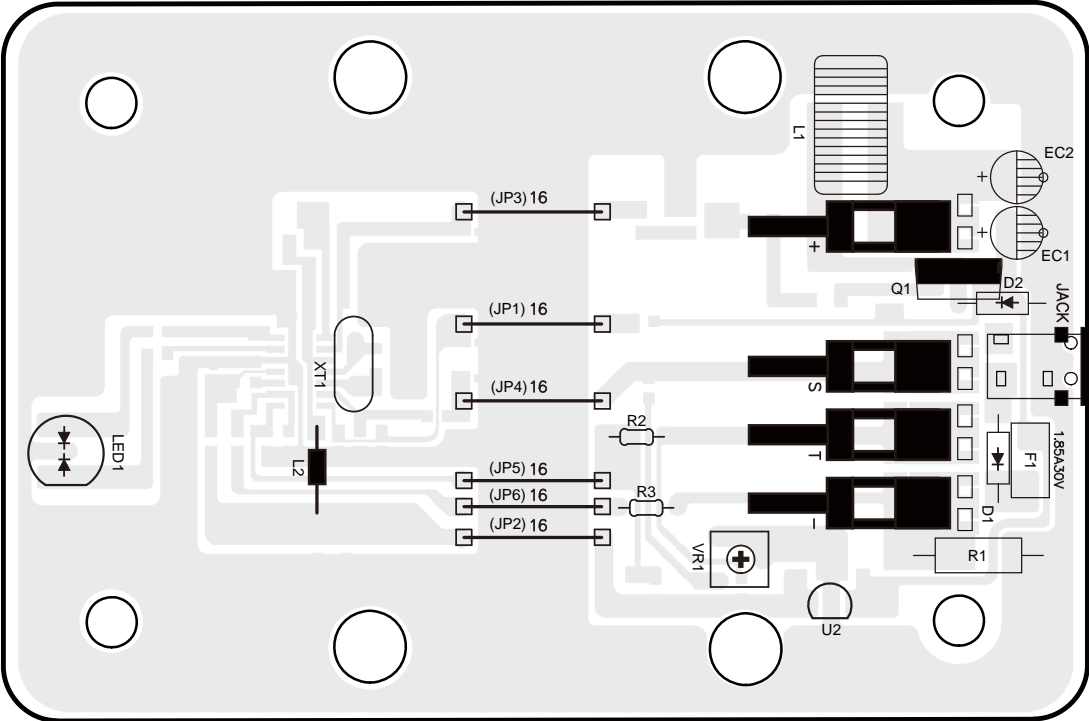
Ref. No.	New parts	Parts No.	Description	Destination
<b>KSC-25L</b>				
	*	A02-4150-08	CABINET(UPPER)	
	*	A02-4151-08	CABINET(BOTTOM)	
	*	B62-2334-00	INSTRUCTION MANUAL	
	*	E03-0466-08	DC JACK	
	*	E23-1372-08	RELAY TERMINAL	
	*	W08-1264-08	CHARGER	
	*	W08-1267-08	AC ADAPTER	K
	*	W08-1268-08	AC ADAPTER	T
	*	W08-1269-08	AC ADAPTER	E
	*	W08-1270-08	AC ADAPTER	X

**Note:** The AC adapter and AC cord are arranged as a pair.

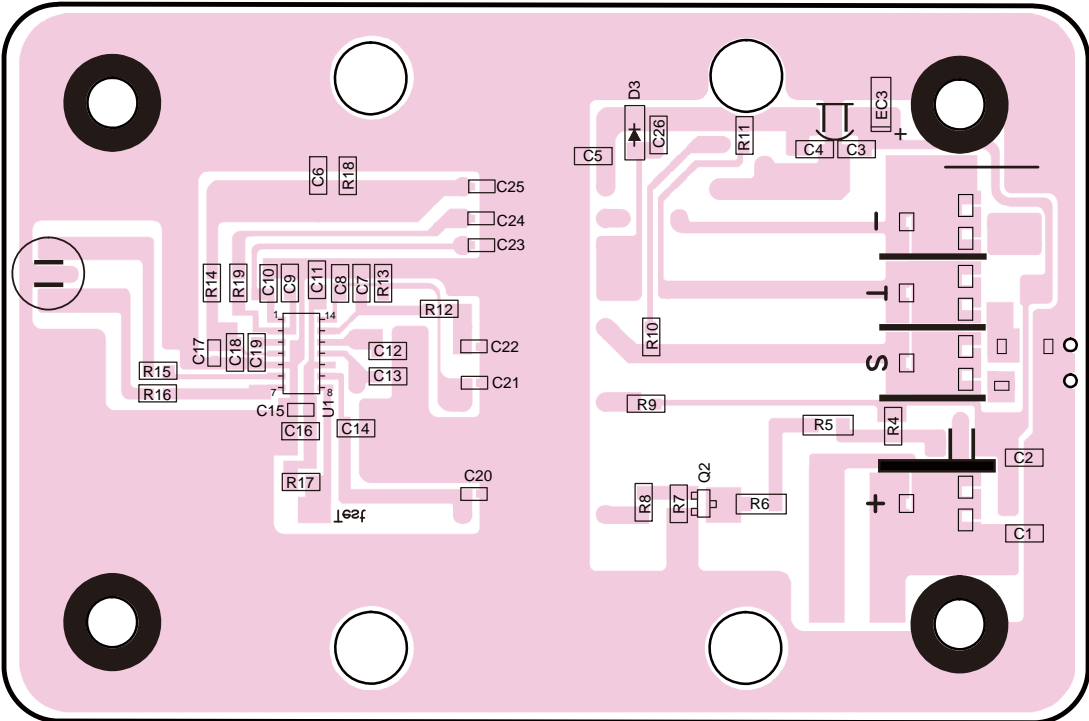
# KSC-25L

## PC BOARD

CHARGER UNIT Component side view

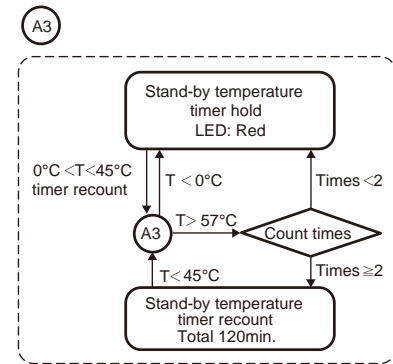
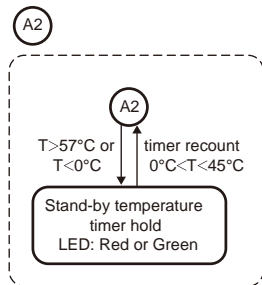
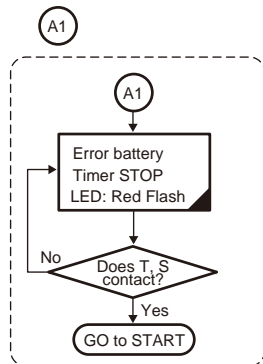
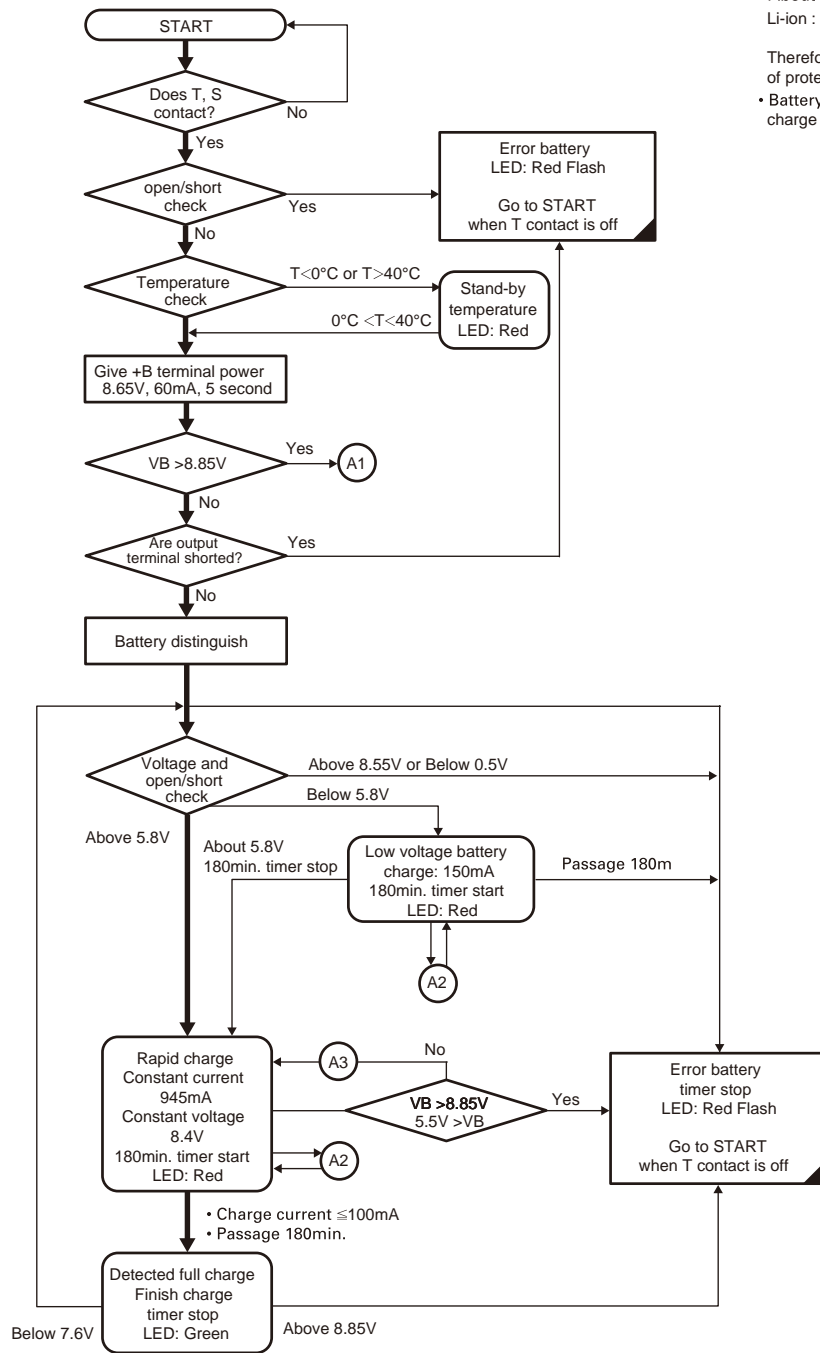


CHARGER UNIT Foil side view



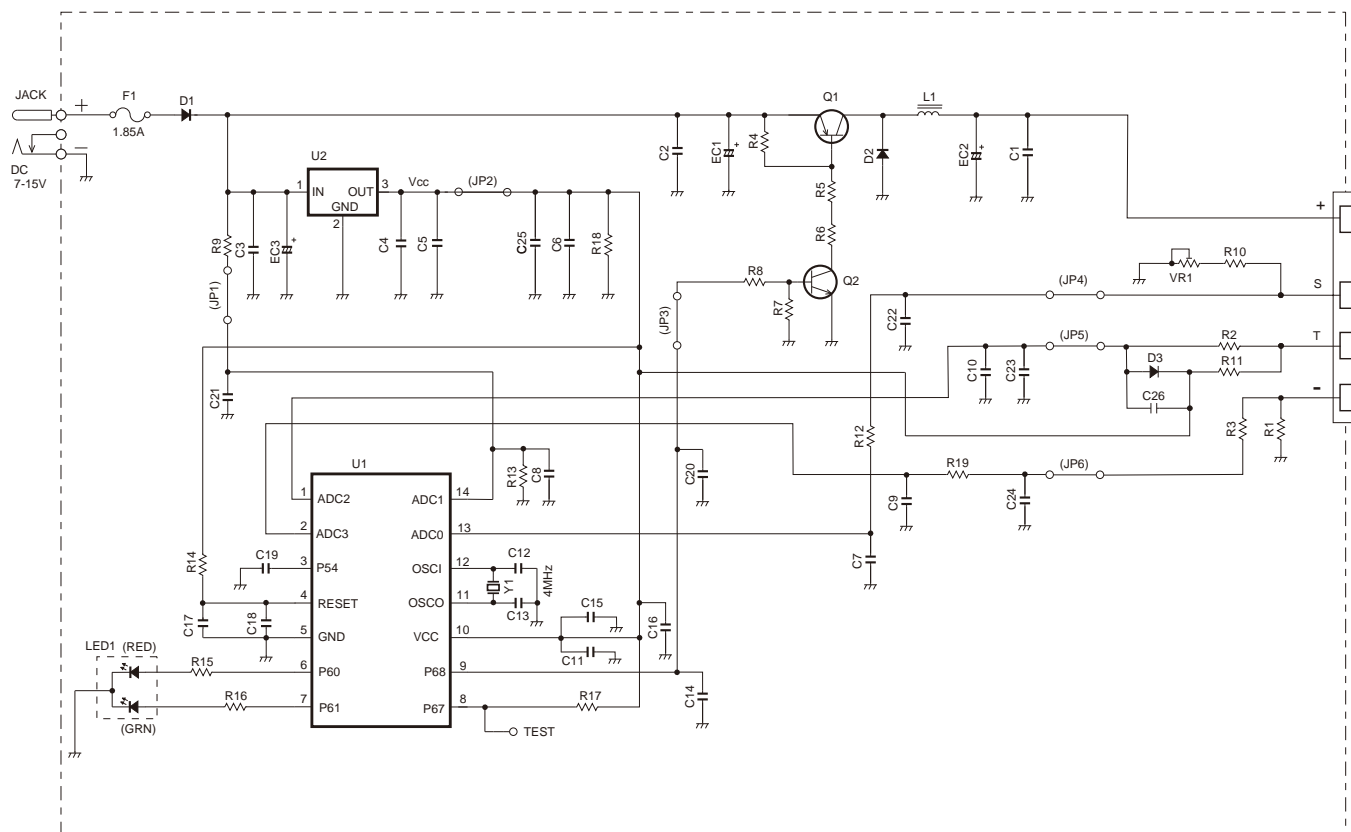
## FLOW CHART

- About voltage written down,  
Li-ion :  $V_s = V_B$  , when Battery is not in charger set.  
 $V_s = 1/3 V_B$ , when Battery is in charger set.  
Therefore Ni-Cd/Ni-MH voltage must consider  $V_f$  of protected reverse connection diode.
- Battery voltage should be kept inspecting when charge condition and on temperature stand-by condition.



# KSC-25L

## SCHEMATIC DIAGRAM



### JVC KENWOOD Corporation

3-12, Moriyacho, Kanagawa-ku, Yokohama-shi,  
Kanagawa, 221-0022 Japan

#### Kenwood U.S.A. Corporation

P.O. BOX 22745, 2201 East Dominguez Street, Long Beach,  
CA 90801-5745, U.S.A.

#### Kenwood Electronics Canada Inc.

6070 Kestrel Road, Mississauga, Ontario, Canada L5T 1S8

#### Kenwood Electronics Deutschland GmbH

Rembrücker Str. 15, 63150 Heusenstamm, Germany

#### Kenwood Electronics Belgium N.V.

Leuvensesteenweg 248 J, 1800 Vilvoorde, Belgium

#### Kenwood Electronics France S.A.

L'Etoile Paris Nord 2, 50 Allée des Impressionnistes,  
Bp 58416 Villepinte, 95944 Roissy Ch De Gaulle Cedex

#### Kenwood Electronics UK Limited

Kenwood House, Dwight Road, Watford, Herts.,  
WD18 9EB United Kingdom

#### Kenwood Electronics Europe B.V.

Amsterdamseweg 37, 1422 AC Uithoorn, The Netherlands

#### Kenwood Electronics Italia S.p.A.

Via G. Sirtori, 7/9 20129 Milano, Italy

#### Kenwood Ibérica, S.A.

Carretera de Rubi, 88 Planta 1 A 08174 Sant Cugat del Vallès  
Barcelona, Spain

#### Kenwood Electronics Australia Pty. Ltd.

Talavera Business Park Building A, 4 Talavera Road,  
North Ryde NSW 2113 Australia

#### Kenwood Electronics (Hong Kong) Ltd.

Suite 2504, 25/F, Tower 2, Nina Tower, No. 8 Yeung Uk Road,  
Tsuen Wan, New Territories, Hong Kong

#### Kenwood Electronics Singapore Pte Ltd

1 Ang Mo Kio Street 63, Singapore 569110